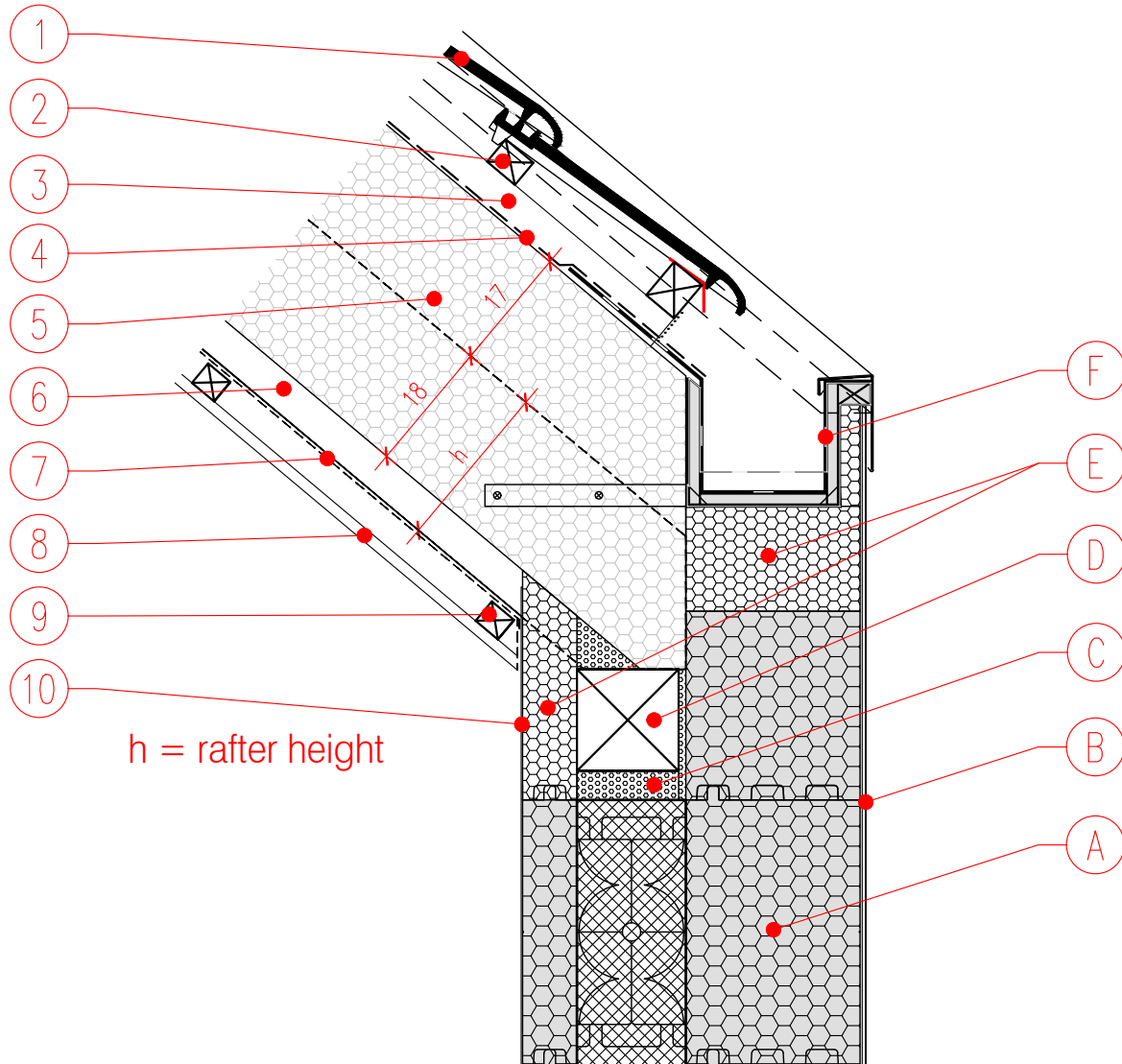


DETAIL NO.: ROOF-A-01-2.0
 TYPE: ICF
 DATE: APRIL 2019



ATIC WALL TO ROOF CONNECTION WITHOUT OVERHANG S 1:10



h = rafter height

1. ROOF TILES
2. BATTENS
3. COUNTER-BATTENS (AIR LAYER)
4. BREATHER MEMBRANE
5. JUBHome ROOF BLOCK
6. RAFTER
7. VAPOUR BARRIER
8. GYPSUM BOARDS & FINISH LAYER
9. BATTENS
10. JUBIZOL adhesive mortar + reinforcement mesh, JUBOLIN P 25 Fine levelling compound

- A. JUBHome WALL
- B. JUBIZOL adhesive mortar + reinforcement mesh, decorative render
- C. PU FOAM
- D. EAVES BEAM
- E. SPACES FILLED WITH EPS BOARDS
- F. GUTTER